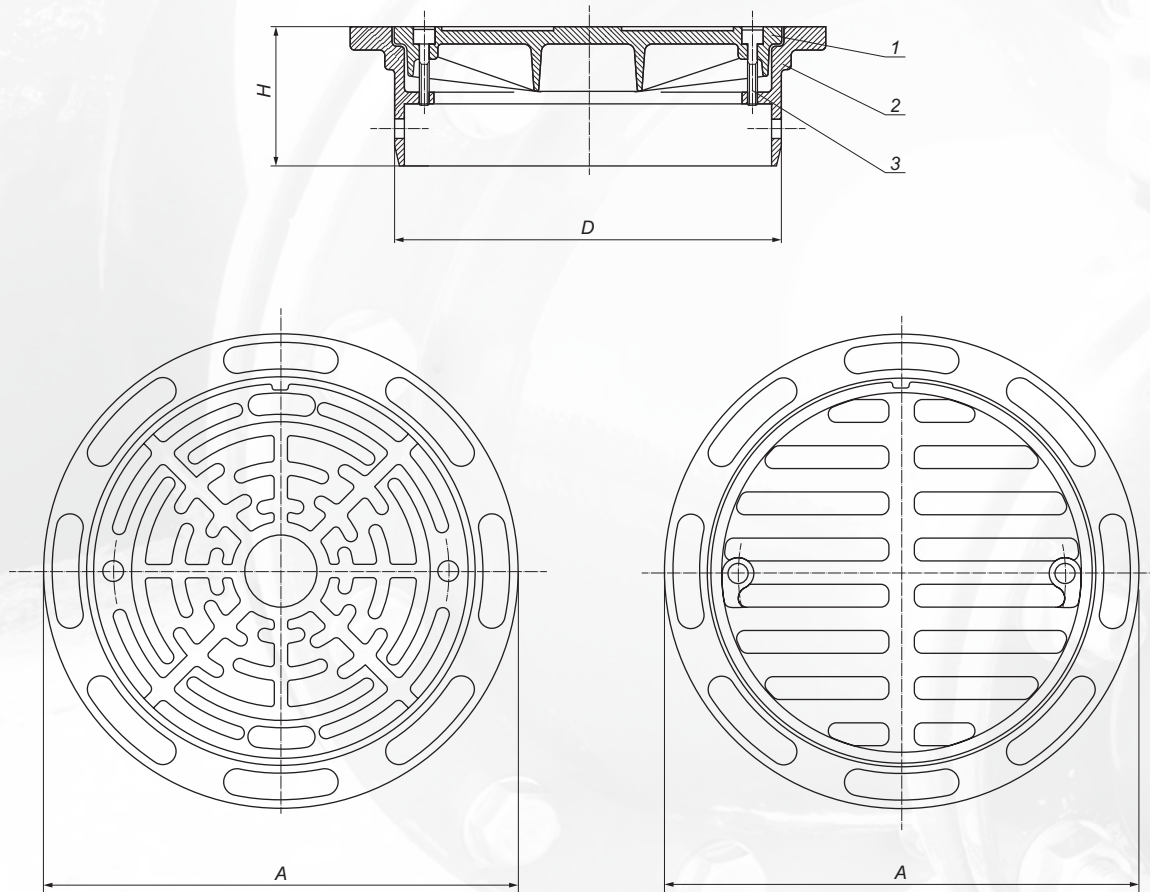


## Cover and grate for 425 pipe



No.	Description	Material
1.	Lid*	EN-GJL-250
2.	Body	EN-GJL-250
3.	Allen screw	Galvanized steel 8.8 class/ Stainless steel A2

\* C 250, D 400 class - ductile iron EN-GJS-500-7, PN-EN 1563:2000.  
Coating: bitumen paint.

Lid type	Load	Class	A	D	H	Weight
Cover	1,5 T	A 15	500	416	100	23,00
	12,5 T	B 125				31,00
	25 T	C 250				33,00
	40 T	D 400				33,00
Grate	1,5 T	A 15	500	416	100	22,50
	12,5 T	B 125				30,50
	25 T	C 250				32,50
	40 T	D 400				32,50

Norm: PN-EN 124-2