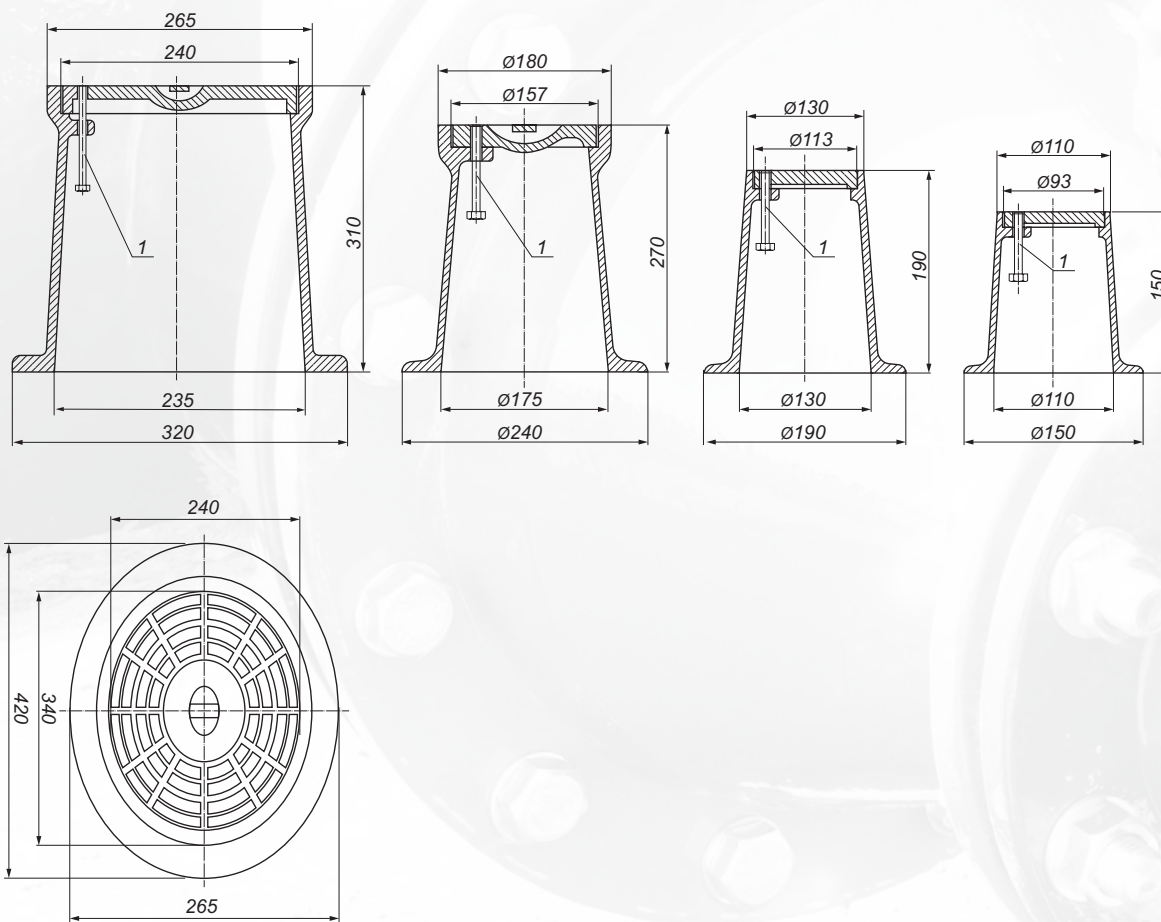


Street box



Coating: bitumen black paint

Material: cast iron EN-GJL-250, PN-EN 1561:2000

* Available in „gaz” version.

The „gaz” version is also available with a yellow lid.

** Available with cover made of ductile iron EN-GJS-500-7, PN-EN 1563:2000.

1) screw – galvanized steel 8.8/stainless steel A2

Street box for valves h-270 acc. to PN-M-74081

Street box for hydrants h-310 acc. to PN-M-74082

Description	Height	Weight
Street box for connectors 80*	150	3,10
Street box for connectors 100	190	5,10
Street box for connectors 270*/**	270	13,00
Street box for hydrants DN80 and DN100 „NORSON”**	310	32,10