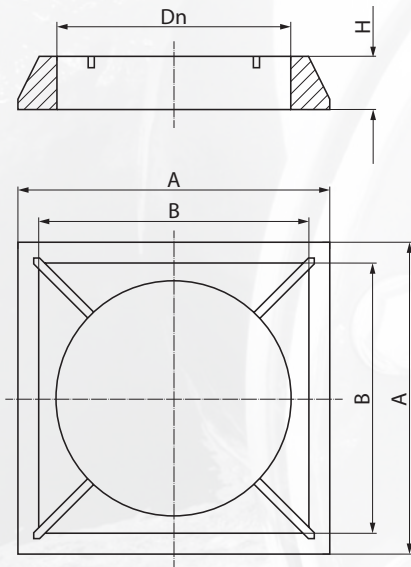


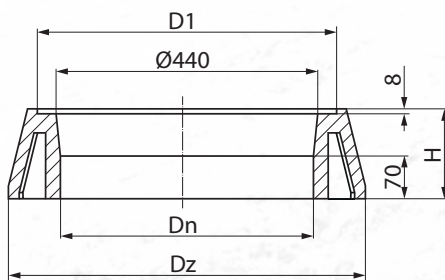
Composite elements



TXP/315/PN

No.	Description	Dn	A	B	H	Weight
1.	Conical pad under the manhole body 370/370	330	440	380	75	8,30

Supporting pad for telescopic manholes and DN 315 grates installed in bituminous pavement. Intended for square bodies of manholes with external dimensions 370 x 370 mm.



T3/400/N

No.	Description	Dn	Dz	D1	H	Weight
1.	Conical pad under the round manhole body 425	425	600	503	150	17,50

Conical pad for telescopic manhole pipe DN425.