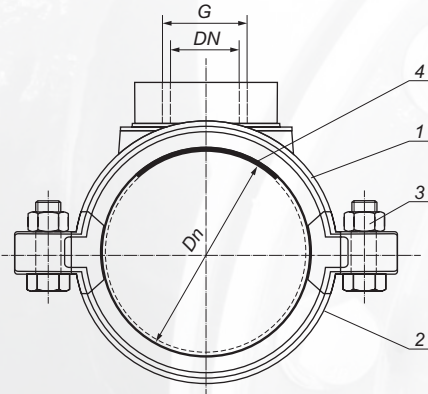


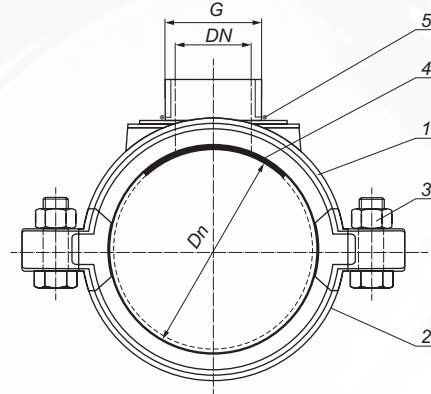
Clamping ring NOBW and NOBZ for PE and PVC pipes, ductile iron PN 10/16

NOBW
with female thread



Dn	G	DN	Weight
63	3/4"	20	1,60
90			2,60
110			3,20
125			3,60
160			4,35
225	6,70		
63	1"	25	1,55
90			2,55
110			3,15
125			3,55
160			4,30
225	6,65		
63	5/4"	32	1,50
90			2,50
110			3,10
125			3,50
160			4,25
225	6,60		
63	6/4"	40	1,45
90			2,45
110			3,05
125			3,45
160			4,20
225	6,55		
90	2"	50	2,40
110			3,00
125			3,40
160			4,15
225			6,50

NOBZ
with male thread



Dn	G	DN	Weight
63	1"	25	1,35
90			2,35
110			2,90
125			3,30
160			4,65
225	6,40		
63	5/4"	32	1,30
90			2,30
110			2,85
125			3,25
160			4,60
225	6,35		
63	6/4"	40	1,25
90			2,25
110			2,80
125			3,20
160			4,55
225	6,30		
63	2"	50	1,20
90			2,20
110			2,75
125			3,15
160			4,50
225	6,25		

No.	Description	Pcs.	Material
1.	Upper saddle	1	EN-GJS-500-7
2.	Lower saddle	1	EN-GJS-500-7
3.	Screw, pad, nut	4	Galvanized steel 8.8 class/ Stainless steel A2/A4
4.	Saddle gasket	1	EPDM/NBR
5.	O-ring	1	EPDM/NBR

It is used for connecting home installations to the water supply network made of PE and PVC pipes.

Material: ductile iron EN-GJS-500-7, PN-EN 1563:2000
Coating: epoxy paint 250-360 µm
Nominal pressure: 1,0/1,6 MPa, PN 10/16

It is possible to make a clamp with full rubber lining.