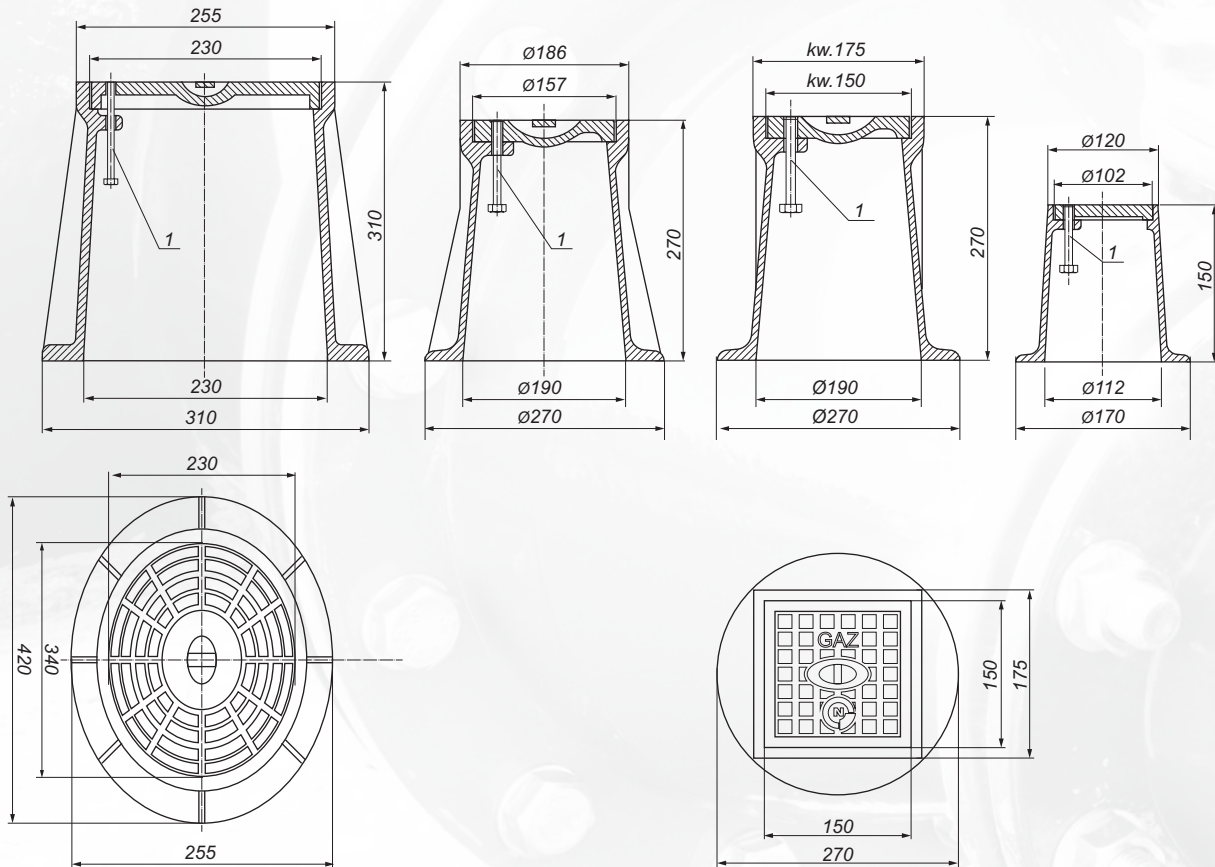


Street box HDPE with cast iron lid



Lid coating: bitumen black paint
 Lid material: cast iron EN-GJL-250, PN-EN 1561:2000
 Body material: HDPE

* Available in „gaz” version.
 The „gaz” version is also available with a yellow lid.

** Available with cover made of ductile iron EN-GJS-500-7,
 PN-EN 1563:2000.

1) screw – galvanized steel 8.8/stainless steel A2

Description	Height	Weight
Street box for connectors 90*	150	2,10
Street box for connectors fig 4056 round*/**	270	4,00
Street box for connectors fig 3581 square*	270	4,00
Street box for hydrants DN80 and DN100 „NORSON” fig 4055*	310	12,00