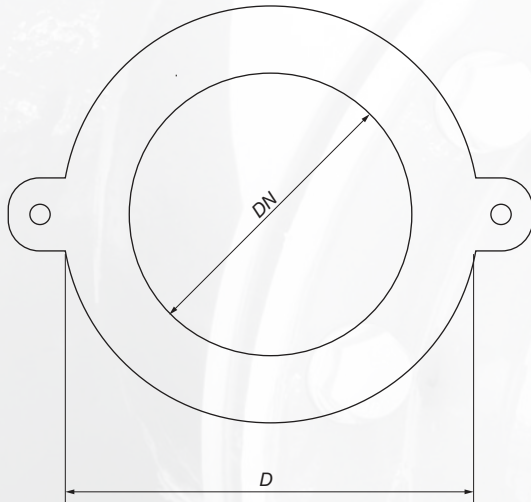


Water and sewage system gasket

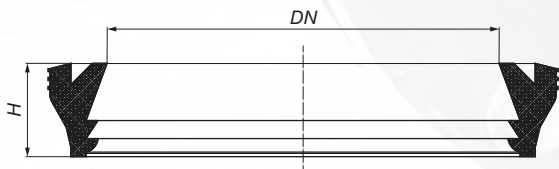
Flat gaskets



No.	DN	D
1.	40	85
2.	50	85
3.	65	115
4.	80	135
5.	100	155
6.	125	175
7.	150	210
8.	200	260
9.	250	300
10.	300	360
11.	400	480
12.	500	570
13.	600	785

Material: EPDM
 Norm: PN-EN 681-1:2002
 Gaskets with a metal insert on request.

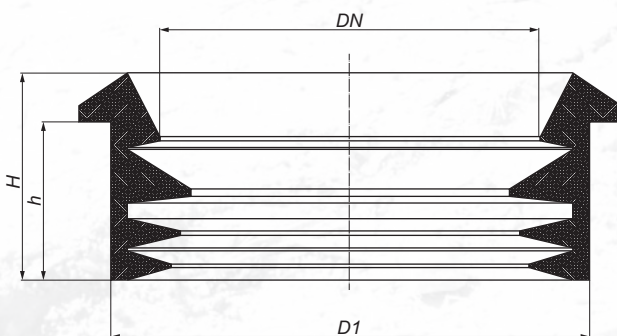
PVC pressure pipe gaskets



No.	DN	H
1.	90	20
2.	110	22
3.	160	26
4.	225	30

Material: EPDM
 Norm: PN-EN 681-1:2002

In-situ gaskets



No.	DN	D1	H	h
1.	110	142	65	50
2.	160	190	65	50
3.	200	233	65	50
4.	250	287	56	50
5.	315	351	65	50

Material: EPDM
 Norm: PN-EN 681-1:2002