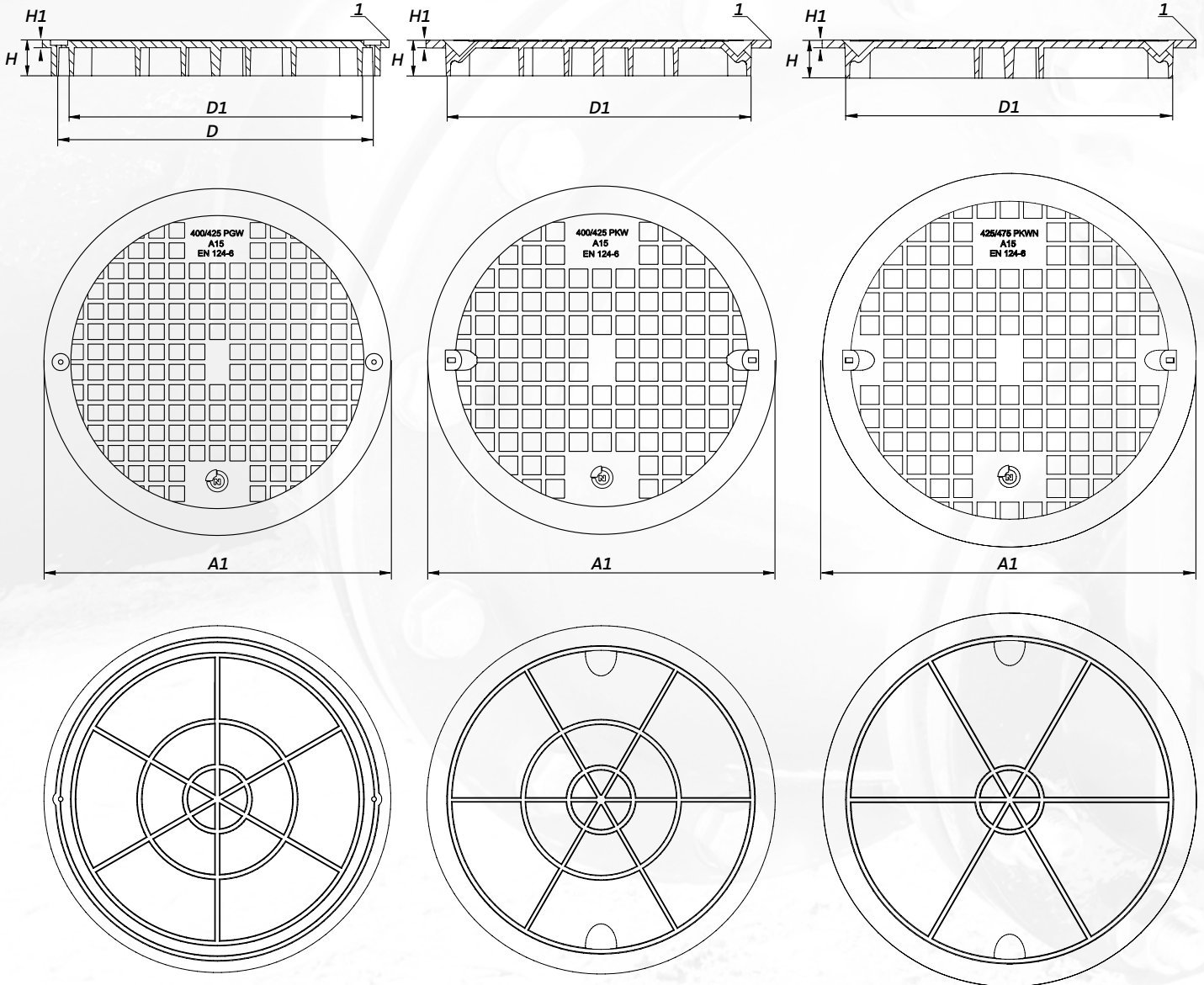


PP cover for smooth and corrugated 400 pipe and corrugated 425 pipe



PP cover is used as a top part of inspection chamber in places intended only for pedestrian and bicycle traffic.

No.	Description	Material
1.	Body	PP

The cover can be attached to a smooth or corrugated pipe DN400, DN425 with the screws.

Type	Load	Class	A1	D	D1	H	H1	Weight
Smooth pipe 400	1,5 T	A 15	445	402	376	46	10	2,20
Corrugated pipe 400/425	1,5 T	A 15	445	–	398	46	10	2,00
Corrugated pipe 425/475	1,5 T	A 15	480	–	423	49	10	2,20

Norm: PN-EN 124-6