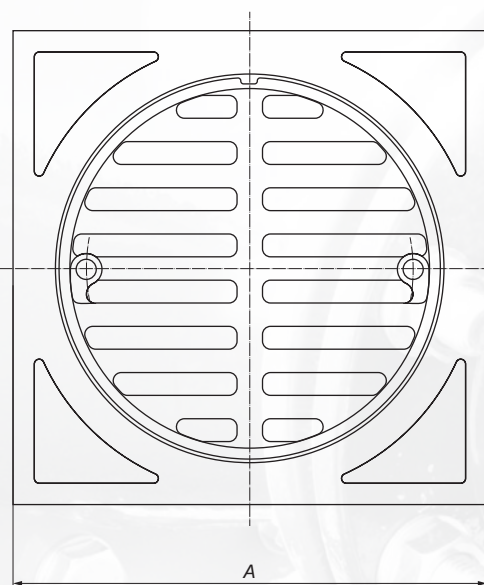
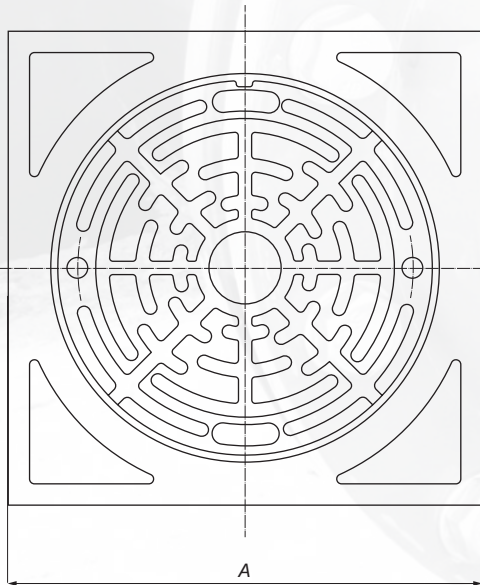
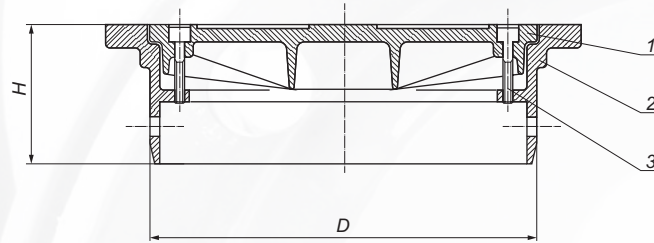


Cover and grate for 250 pipe



No.	Description	Material
1.	Lid*	EN-GJL-250
2.	Body	EN-GJL-250
3.	Allen screw	Galvanized steel 8.8 class/ Stainless steel A2

* D 400 class - ductile iron EN-GJS-500-7, PN-EN 1563:2000.
Coating: bitumen paint.

Lid type	Load	Class	A	D	H	Weight
Cover	1,5 T	A 15	320	260	320	9,80
	12,5 T	B 125	320	260	320	12,20
	40 T	D 400	320	260	320	13,10
Grate	1,5 T	A 15	320	260	320	9,60
	12,5 T	B 125	320	260	320	12,00
	40 T	D 400	320	260	320	13,00

Norm: PN-EN 124-2